

DP309 Dropper Seat Post User Manual

External Cable Routing

Proper installation and use of this product will help provide a reliable guarantee for your safety.

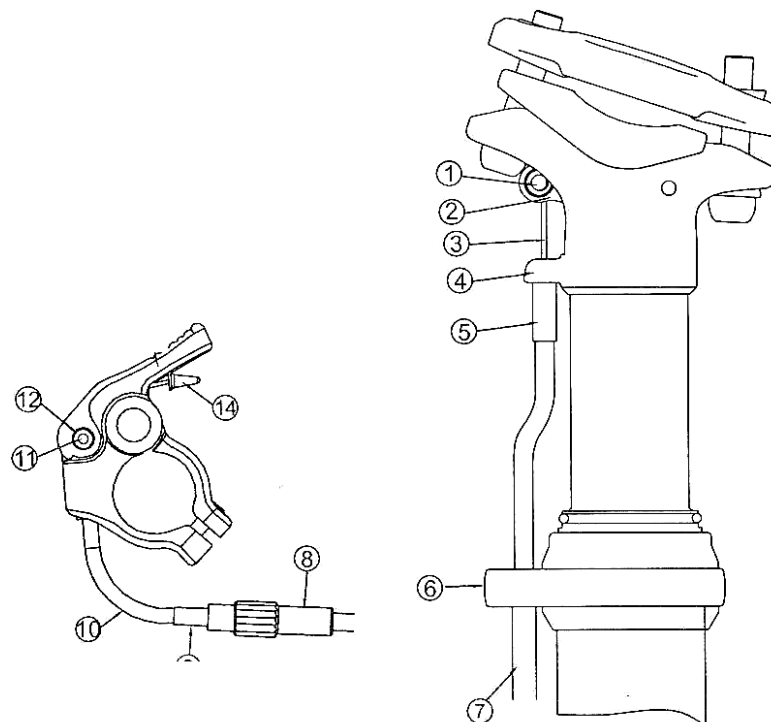
Please carefully read these instructions before installation.

If you are not a professional bike technician, or do not have the correct installation tools, take the relevant bike parts and this manual to a professional bike shop for installation.

Please do not modify the function of the seat post, as it may cause product dysfunction and possible severe injury during use. HL will not be held accountable for any modification made to the seat post which results in personal injury.

1. Seat Post Breakdown Diagram

No.	Component	No.	Component
1	Mandrel (with countersunk head)	8	Mini inline adjuster
2	Cartridge lever	9	Plastic plug
3	Inner wire	10	Bended tube
4	Cable stop	11	Mandrel (with thread)
5	Aluminum plug	12	Stop screw
6	Plastic ring for cable jamming	13	Control lever pack
7	Cable housing	14	Aluminum plug



2. Operation Steps

- 1 Install the seat post into the frame above the labelled minimum insertion line and tighten the screw to the suggested torque. Then fix the control lever pack 13 on the handlebar.
- 2 Replace plastic plug 9 at the end of cable housing 7 with JAGWIRE aluminum plug 5. Insert plastic plug 9 into the bended tube 10. Then confirm mini inline adjuster 8 is loose.
- 3 Make sure inner wire 3 is fixed on the seat post. Pass the wire through cable stop 4. Make sure aluminum plug 5 is clipped into cable stop 4. Then pass cable housing 7, mini inline adjuster 8, bended tube 10, and control lever pack 13. After routing the cable, tension inner wire 3 and lock stop screw 12 at the same time.
- 4 Make sure the wiring is smooth. If not, the product may have abnormal function.
- 5 Cut extra wire, reserving 20 mm. Insert aluminum plug 14 and fix it.
- 6 Saddle Installation: fasten the seat post with marked torque force and adjust the saddle to a suitable riding position.
- 7 Press remote control lever pack 13 three to five times to ensure the wiring moves smoothly. Make sure the remote control works smoothly after saddle installation. If there is any dysfunction, check installation steps 1 to 6 are correct.
- 8 If inner wire tension is insufficient, adjust it by turning mini inline adjuster 8. Please note that too much or too little tension adjustment will lead to function failure of the seat tube.

Important: too much or too little cable tension adjustment can lead to function failure of the seat tube.

3. Notice

- 1 Check if any seat post components are missing after opening the package.
- 2 Carefully read the instruction manual and assemble components accordingly.
- 3 Conduct static operation after installation and confirm the product is functioning normally.
- 4 Please note that too much or too little tension adjustment will lead to function failure of the seat tube.
- 5 For any questions during installation, ask for assistance from specialised bike store staff or have them complete the installation.
- 6 Please keep your instruction manual.
- 7 For any more questions, contact the bike brand dealer in your local area according to the contact information on the manual.

Adsports NZ